

**PITBULL**  
ROAD BIKE PEDAL  
PATENT NO.: US 10,259,528 B1



Approved by Charlie  
at Pitbull

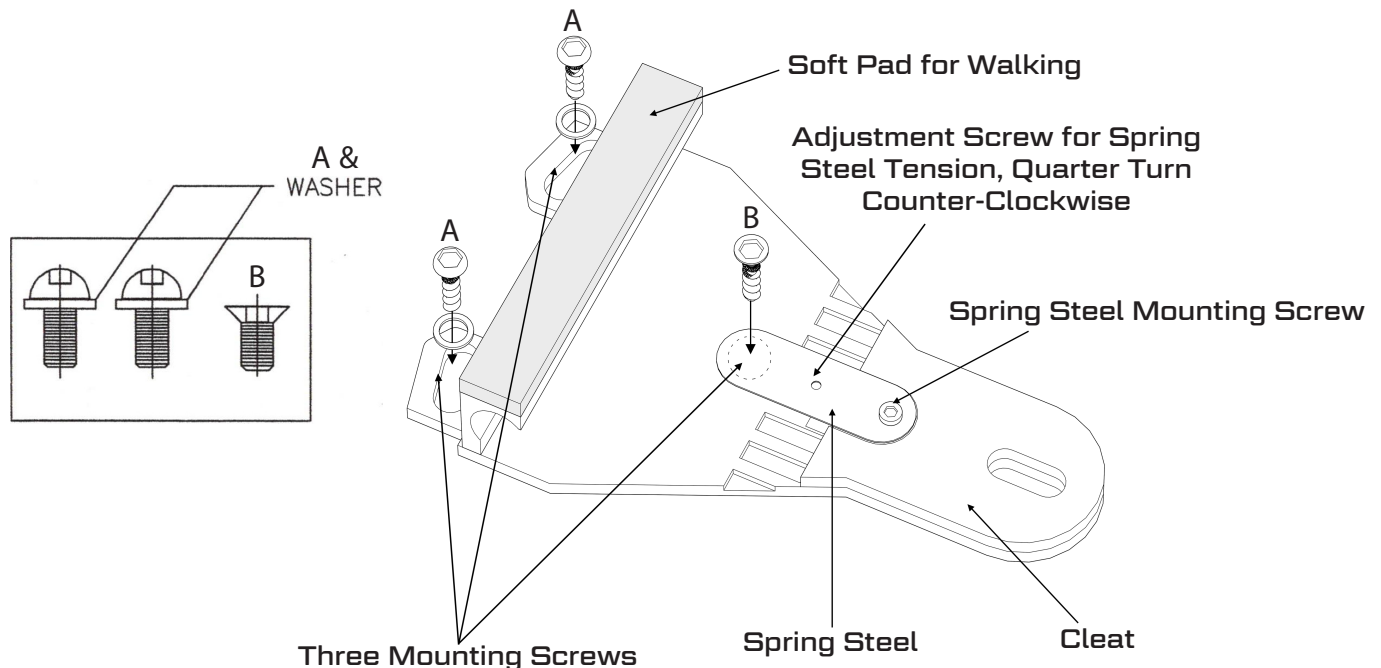
## Installation Instructions

### Black Cleat = 5° Float / Gray Cleat = 0° Float

1. Remove cleat from box, selecting float and / or no float cleat.
2. Remove spring steel from cleat. Use allen wrench provided in box.
3. Use three (3) screws for mounting and adjusting pivot for your preference. Be sure the two screws with rounded heads go in two back holes with washers first. The mounting screw under the spring steel has a flat head and no washer.
4. Reinstall spring steel. Spring steel **MUST** be tight and flush/level with the cleat surface.

#### Spring Steel Tension Adjustment

Once cleats are on shoe but before wearing, connect cleat to pedal on bike. Once connected, take supplied allen wrench and back set screw out until it makes contact with spring steel. Take shoes off bike, make 1/4 turns counter-clockwise to stiffen the spring and increase engagement to what you prefer.



## NOW YOU ARE READY TO LOCK & ROLL!

**LIFETIME WARRANTY:** We will replace the pedal that is defective or breaks during normal use. Please send pedal to:  
Pitbull Bike Pedal, 1010 Park Court Suite E, Safety Harbor, FL 34695  
and include your return address. We will send out a replacement right away!

